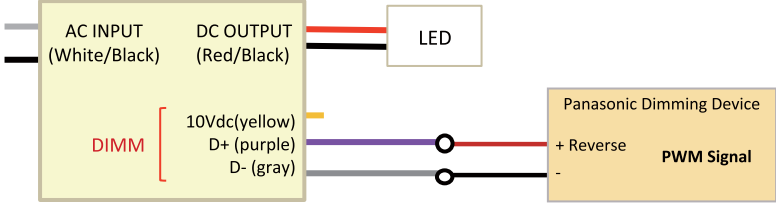


**Dimming Instruction-C**

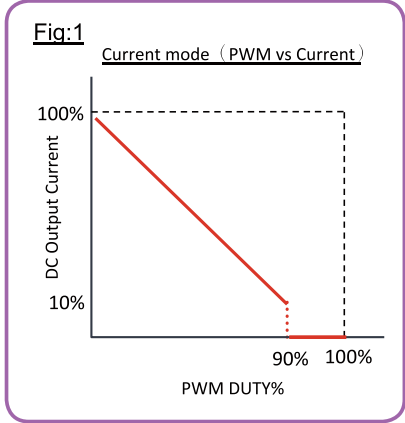
For Model : LF1048 ( 53W ), LF1075 ( 75W ) only Constant Current Model p.s. As for the detail specifications, please refer to the data sheet of the series.

● PWM Dimming Mode -Reverse Dimming

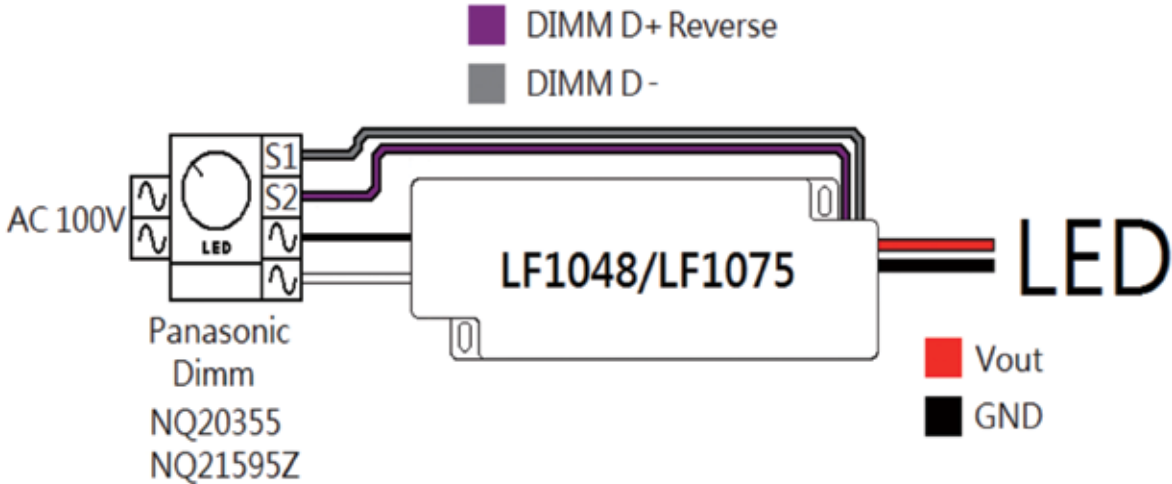
Wiring Diagram



PWM vs Current Value ( Fig : 1 )	0% ~ 90%	DC Output : 100%~10%		
	> 90%	DC Output : 0%		
Sink Current		Typical 0.1mA		
		min.	Ty.	max
High Signal Level		--	10V	15V
Low Signal Level		--	0V	--
PWM Signal frequency	200Hz	--	--	5,000Hz
Dimmable Duty %	100%	--	--	0%



Wiring Diagram



- Multiple Models by Dimming Control
  - Max. 20PCS

